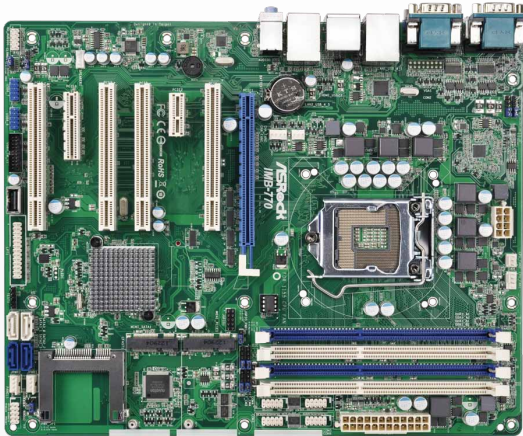


# IMB-770

## ATX Motherboard



### Spotlight Features

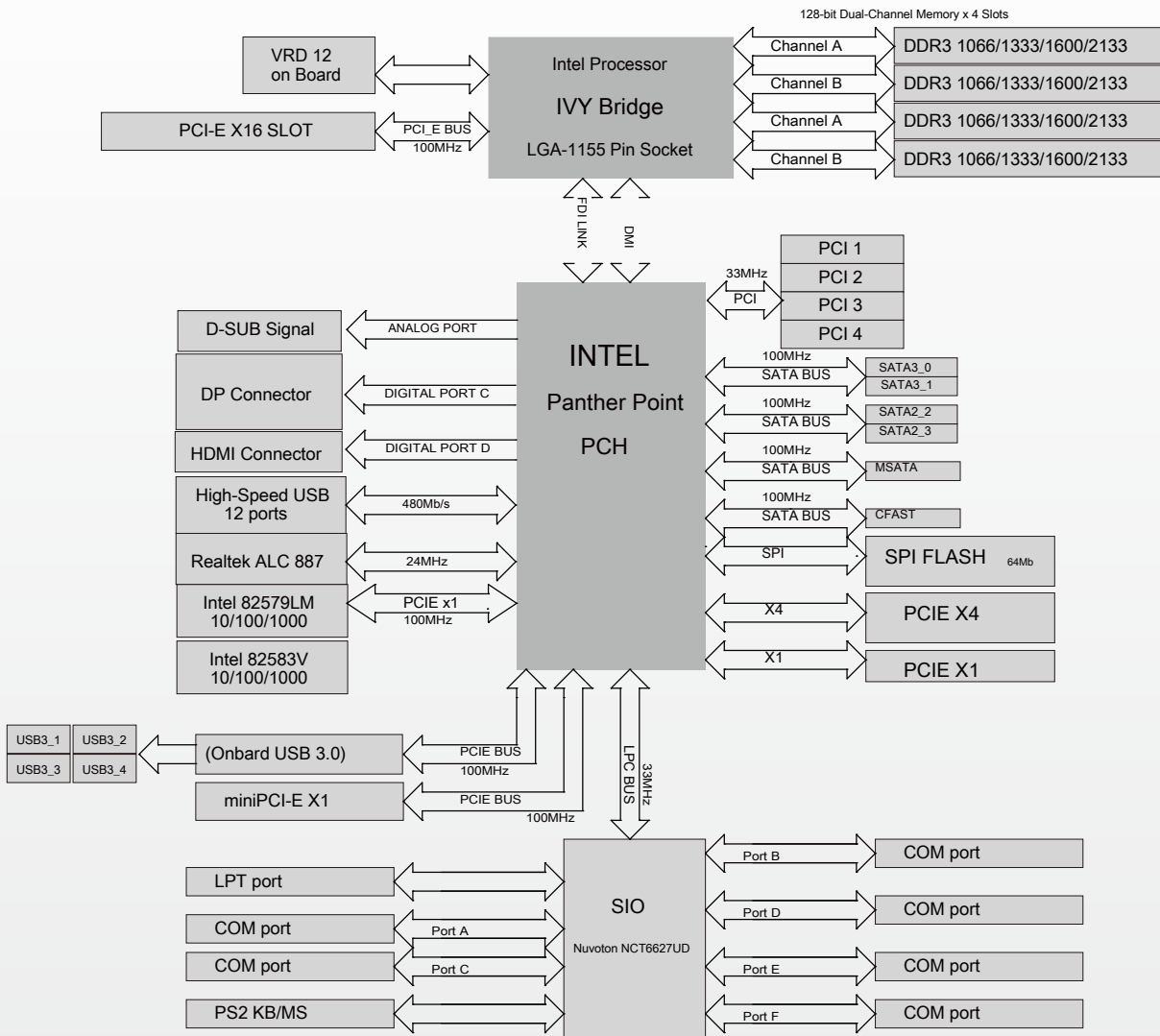
- Socket LGA1155 for Intel Core i7/i5/i3/Celeron (Ivy Bridge and Sandy Bridge)
- Intel® Q77 Chipset
- Integrated Intel® HD Graphics Built-in Visuals
- Supports DDR3 1600MHz, 4 x Long-DIMM, up to 32GB system memory
- 2 x COM (RS-232/422/485), 4 x COM (RS-232)
- 1 x D-Sub, 1 x HDMI, 1 x DisplayPort
- 4 x USB 3.0, 9 x USB 2.0, 2 x SATA3, 2 x SATA2
- 4 x PCI, 1 x mini-PCIe, 1 x mSATA, 3 x PCIe (x16/x4/x1), 1 x CFast Card Socket
- Gigabit LAN : 1 x Intel 82579LM, 1 x Intel 82583V
- 1 x TPM Header

### Specifications

Processor System	
Dimension	ATX (9.6-in x 12-in)
CPU	Socket LGA1155 for Intel Core i7/i5/i3/Celeron (Sandy Bridge and Ivy Bridge)
Core Number	(By CPU, Max 4)
Max Speed	(By CPU)
L3 Cache	(By CPU)
Chipset	Q77
BIOS	UEFI
Expansion Slot	
PCI	4
Mini-PCIe	1 (Full Size)
mSATA	1
PCIe	1 (x16) (Ivy Bridge: Gen3; Sandy Bridge: Gen2) + 1 (x1) + 1 (x4)
CFast Card Socket	1
Memory	
Technology	Dual Channel DDR3 1066/1333/1600 MHz SDRAM
Max.	32GB
Socket	4 x Long-DIMM
Graphics	
Controller	Intel HD Graphics (By CPU)
VRAM	Shared Memory
VGA	Supports max resolution 2048 x 1536
LVDS	0
HDMI	Supports HDMI 1.4a, max resolution 1920 x 1200
DVI	No
Display Port	Supports max resolution 2560 x 1600
Multi Display	Yes
Ethernet	
Interface	10/100/1000 Mbps
Controller	GbE LAN1: Intel 82583V, LAN2: Intel 82579LM
Connector	2 x RJ-45
SATA	
Max Data Transfer Rate	SATA2 (3.0Gb/s), SATA3 (6.0Gb/s), Supports RAID 0/1/5

Rear I/O	
VGA	1
HDMI	1
DVI-I/D	0
Display Port	1
Ethernet	2
USB	6 (4 x USB 2.0 compliant, 2 x USB 3.0 compliant)
Audio	3 (Mic-In, Line-Out, Line-In)
Serial	2 (RS-232/422/485)
PS/2	1 (Combo)
Internal Connector	
USB	7 (4 x USB 2.0 compliant, 2 x USB 3.0 compliant) 1 Vertical Type A USB Connector
LVDS/Inverter	0
VGA	0
Serial	4 (RS-232)
SATA	2 x SATA2 (3.0Gb/s), 2 x SATA3 (6.0Gb/s), Support RAID 0/1/5/10
m-SATA	1
Mini-PCIe	1 (Supports half-size card)
Parallel	1
IrDA	0
GPIO	4 x GPI + 4 x GPO
SATA PWR Output Con	2
Speaker Header	0
Watchdog Timer	
Output	Output from super I/O to drag RESETCON#
Interval	256 Segments, 0,1,2...255 Sec/Min
Power Requirements	
Input PWR	ATX PWR (8 + 24)
Power On	AT/ATX Supported AT : Directly PWR on as power input ready ATX : Press button to PWR on after power input ready
Environment	
Operating Temperature	0°C – 60°C

## Board Diagram



## IPC Motherboards Focused Markets

ASRock IMB solutions can be widely used for industrial applications, such as process control, data acquisition, and so on. IMB-PCs are typically panel mounted and often incorporate touch screens for user interaction.

