

Datasheet

mSATA 3MV2-P series

- SATA 6.0 Gb/s interface
- JEDEC MO-300 standard dimension
- High IOPS by on-board DRAM design
- Intelligent error recovery system
- iSMART disk health monitoring
- iData Guard for abnormal power failure
- Zero mechanical interference
- DEVSLP supported



Introduction

InnoREC is innodisk's proprietary flash feature set designed specifically for surveillance applications. Through the smart integration of firmware and hardware, the speed and performance required by modern surveillance solutions is fully met. mSATA 3MV2-P products provide high capacity flash memory Solid State Drive (SSD) that electrically complies with Serial ATA (SATA) standard. It supports SATA III standard (6.0GHz) with high performance and supports several features, including REC line, iData Guard, iCell, Quick Erase, Thermal sensor, passive cooling and S.M.A.R.T.

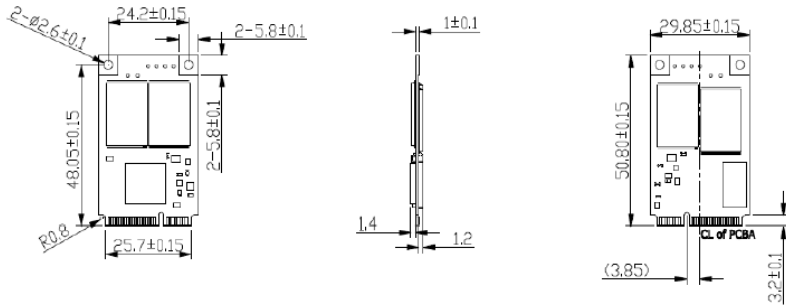
mSATA

3MV2-P series

Contact us for more information about the mSATA 3MV2-P.

Innodisk is a service-driven provider of industrial embedded flash and DRAM storage products and technologies, with a focus on the industrial/embedded, aerospace and defense, and cloud computing industries.

Diagram



TOLERANCE: ±0.20 mm

Specifications

Interface	SATA III
Flash Type	MLC
Capacity	8GB~512GB
Max. Channels	4
Sequential R/W (MB/sec, max.)*	560 / 450 MB/s
4KB Random (QD32) R/W (IOPS)**	76,000/82,000
Max. Power Consumption	2.8 W (3.3 V x 0.86 A)
Thermal Sensor	√
External DRAM Buffer	√
H/W Write Protect	Optional
ATA Security	√
S.M.A.R.T.	√
DEVSLP Mode	√ (min. power consumption 3mW)
Slumber Mode	√ (min. power consumption 30mW)
Dimension (WxLxH)	29.85 X 50.8 X 3.6 mm
Environment	Vibration: 20G @7~2000Hz Shock: 1500G @ 0.5ms Storage Temperature: -55°C ~ +95°C MTBF: 3 million hours
* Sequential performance based on CrystalDiskMark 5.1.2 with file size 1000MB	
** Random performance based on IOMeter with Queue Depth 32	

Headquarters (Taiwan)

5F., No.237, Sec. 1, Datong Rd., Xizhi Dist., New Taipei City, Taiwan (R.O.C.)
Tel: +886-2-77033000
Email: sales@innodisk.com

Branch Offices:

USA
usasales@innodisk.com
+31-40-3045-400

Europe
eusales@innodisk.com
+31-40-3045-400

Japan
jpsales@innodisk.com
+81-3-6667-0161

China
sales_cn@innodisk.com
+86-755-21673689
www.innodisk.com

© 2017 Innodisk Corporation.
All right reserved. Specifications are subject to change without prior notice.

20170607

Ordering Information (Please refer to TPS for detail)

Operation Temp.	8GB	16GB	32GB	64GB	128GB	256GB	512GB
Standard Grade (0°C ~ +70°C)	DVMSR-08GD81BC1SC	DVMSR-16GD81BC1&C	DVMSR-32GD81BC1% C	DVMSR-64GD81BC1QC	DVMSR-A28D81BC1QC	DVMSR-B56D81BC1QC	DVMSR-C12D81BCAQC
Industrial Grade (-40°C ~ +85°C)	DVMSR-08GD81BW1SC	DVMSR-16GD81BW1&C	DVMSR-32GD81BW1% C	DVMSR-64GD81BW1QC	DVMSR-A28D81BW1QC	DVMSR-B56D81BW1QC	DVMSR-C12D81BWAQC

innodisk

&: S: Single channel, D: Dual channel

%: D: Dual channel, Q: 4 channel

www.innodisk.com