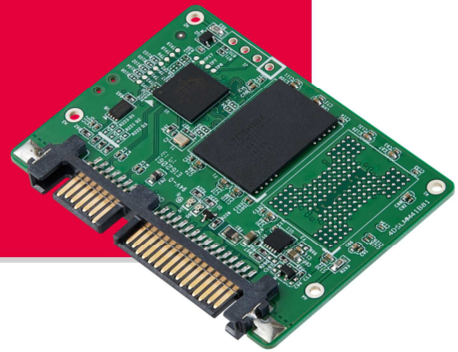


Datasheet

# SATA Slim 3SE4 series

- SATA III solution for industrial field
- Exclusive L<sup>3</sup> architecture
- DRAM-less, 100% data integrity
- Excellent random performance
- Supports TRIM/NCQ/SMART
- Built in iData Guard
- Compatible with JEDEC MO-297 standard
- Designed with LDPC ECC engine



## Introduction

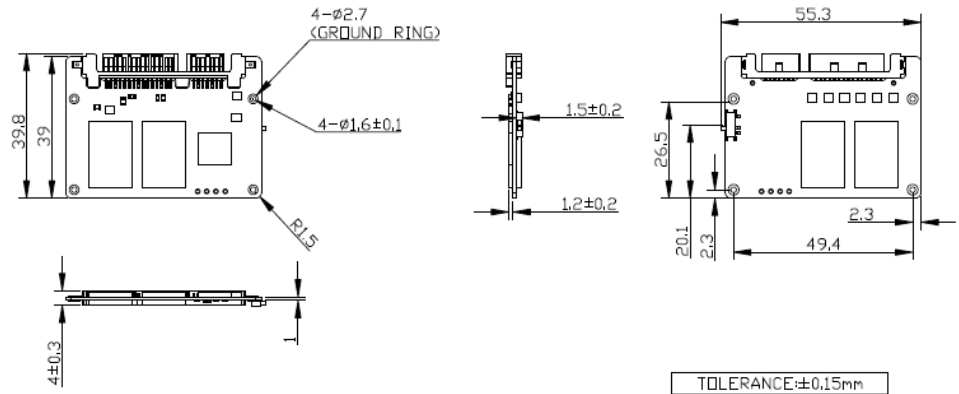
Innodisk SATA Slim 3SE4 is characterized by L<sup>3</sup> architecture with the latest SATA III (6.0GHz) Marvell NAND controller. L<sup>2</sup> architecture multiplied by LDPC (Low Density Parity Check) is Innodisk's exclusive L<sup>3</sup> architecture. L<sup>2</sup> (Long Life) architecture is a 4K mapping algorithm that reduces WAF and features a real-time wear leveling algorithm to provide high performance and prolong lifespan with exceptional reliability. Innodisk SATA Slim 3SE4 is designed for industrial field, and supports several standard features, including TRIM, NCQ, and S.M.A.R.T. In addition, Innodisk's exclusive industrial-oriented firmware provides a flexible customization service, making it perfect for a variety of industrial applications.

# SATA Slim 3SE4 series

Contact us for more information  
about the SATA Slim 3SE4

Innodisk is a service-driven provider of industrial embedded flash and DRAM storage products and technologies, with a focus on the industrial/embedded, aerospace and defense, and cloud computing industries.

## Drawing



## Specifications

### Headquarters (Taiwan)

5F., No.237, Sec. 1, Datong Rd.,  
Xizhi Dist., New Taipei City 221,  
Taiwan (R.O.C.)  
Tel: +886-2-77033000  
Email: sales@innodisk.com

### Branch Offices:

USA  
[usasales@innodisk.com](mailto:usasales@innodisk.com)  
+1-510-770-9421  
Europe  
[eusales@innodisk.com](mailto:eusales@innodisk.com)  
+31-40-3045-400  
Japan  
[jpsales@innodisk.com](mailto:jpsales@innodisk.com)  
+81-3-6667-0161  
China  
[sales\\_cn@innodisk.com](mailto:sales_cn@innodisk.com)  
+86-755-21673689  
[www.innodisk.com](http://www.innodisk.com)

© 2017 Innodisk Corporation.  
All right reserved. Specifications  
are subject to change without  
prior notice.

2017930

Interface	SATA III
Flash Type	SLC
Capacity	8GB~64GB
Max. Channels	2
Sequential R/W (MB/sec, max.)	520/ 360
Max. Power Consumption	1.1 W (5V x 220 mA )
Thermal Sensor	√
External DRAM Buffer	-
H/W Write Protect	-
Pin7 Power	-
ATA Security	√
S.M.A.R.T.	√
Dimension (WxLxH)	54.0 X 39.0 X 4.0 mm
Environment	Vibration: 20G @7~2000Hz Shock: 1500G @ 0.5ms Storage Temperature: -55°C ~ +95°C MTBF: 3 million hours

## Ordering Information

Operation Temp.	8GB	16GB	32GB	64GB
Standard Grade (0°C ~ +70°C)	DESLM-08GM41SCADB	DESLM-16GM41SCADB	DESLM-32GM41SCADB	DESLM-64GM41SCADB
Industrial Grade (-40°C ~ 85°C)	DESLM-08GM41SWADB	DESLM-16GM41SWADB	DESLM-32GM41SWADB	DESLM-64GM41SWADB