

Datasheet

# SATADOM-SL

## 3SE4 series

- SATA III solution for industrial field
- Exclusive L<sup>3</sup> architecture
- DRAM-less, 100% data integrity
- High IOPS to reduce boot up timing
- Designed with hardware LDPC ECC engine
- Support Pin7/Pin 8 power supply



## Introduction

Innodisk SATADOM-SL 3SE4 is characterized by L<sup>3</sup> architecture with Marvell NAND controller and SLC NAND Flash. Innodisk's exclusive L<sup>3</sup> architecture is L<sup>2</sup> architecture multiplied LDPC (Low Density Parity Check). L<sup>2</sup> (Long Life) architecture is a 4K mapping algorithm that reduces WAF and features a real-time wear leveling algorithm to provide excellent performance and prolong lifespan with exceptional reliability.

Innodisk SATADOM-SL 3SE4 is designed for industrial field, and supports several standard features, including TRIM, NCQ, and S.M.A.R.T. In addition, Innodisk's exclusive industrial-oriented firmware provides a flexible customization service, making it perfect for a variety of industrial applications.

The innovative Pin8 uses the SATA connector itself as a power supply to drive the device without external cables. It could be connected directly to the SATA on-board socket on customer's system without additional power cable. Besides, the booting time for operation and the power consumption is less than hard disk drive (HDD), and can work under harsh environment compile with ATA protocol, no additional drives are required, and the SSD can be configured as a boot device or data storage device.

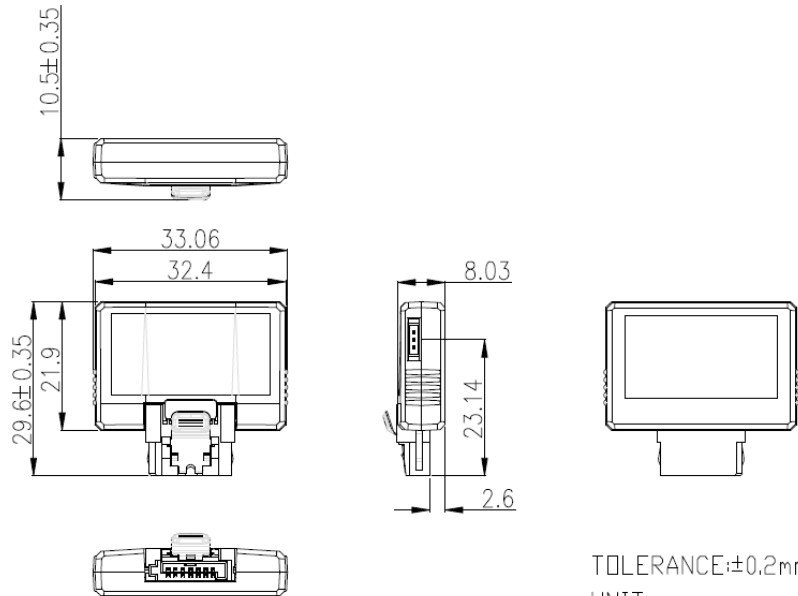
# SATADOM-SL

## 3SE4 series

Contact us for more information about the SATADOM-SL 3SE4.

Innodisk is a service-driven provider of industrial embedded flash storage and Dram products and technologies, with a focus on the cloud computing, industrial/embedded, and aerospace and defense industries.

### Diagram



#### Headquarters (Taiwan)

5F., No. 237, Sec. 1, Datong Rd.,  
Xizhi Dist., New Taipei City,  
Taiwan (R.O.C.)

Tel: +886-2-7703-3000

Email: sales@innodisk.com

#### Branch Offices:

USA

[usasales@innodisk.com](mailto:usasales@innodisk.com)

+1-510-770-9421

Europe

[eusales@innodisk.com](mailto:eusales@innodisk.com)

+31-40-3045-400

Japan

[jpsales@innodisk.com](mailto:jpsales@innodisk.com)

+81-3-6667-0161

China

[sales\\_cn@innodisk.com](mailto:sales_cn@innodisk.com)

+86-755-21673689

[www.innodisk.com](http://www.innodisk.com)

© 2017 Innodisk Corporation.

All right reserved. Specifications  
are subject to change without  
prior notice.

### Specifications

|                               |   |
|-------------------------------|---|
| Interface                     | SATA III  |
| Flash Type                    | SLC   |
| Capacity                      | 8GB~32GB  |
| Max. Channels                 | 2   |
| Sequential R/W (MB/sec, max.) | 520/ 260  |
| Max. Power Consumption        | 0.93W (5V x 186mA )   |
| Thermal Sensor                | √   |
| Extended DRAM buffer          | -   |
| H/W Write Protect             | -   |
| ATA Security                  | √   |
| S.M.A.R.T.                    | √   |
| Dimension (WxLxH)             | 33.06 x 29.6 x 10.5 mm  |
| Environment                   | Vibration: 20G @7~2000Hz<br>Shock: 1500G @ 0.5ms<br>Storage Temperature: -55°C ~ +95°C<br>MTBF: 3 million hours |

### Ordering Information

|                                     | 8GB                | 16GB               | 32GB               |
|-------------------------------------|--------------------|--------------------|--------------------|
| Standard Grade<br>(0°C ~ +70°C)     | DESSL-08GM41SCADB* | DESSL-16GM41SCADB* | DESSL-32GM41SCADB* |
| Industrial Grade<br>(-40°C ~ +85°C) | DESSL-08GM41SWADB* | DESSL-16GM41SWADB* | DESSL-32GM41SWADB* |

\*=A-> Pin 8+ power cable

\*=B-> Pin 8+ Pin 7

**innodisk**

[www.innodisk.com](http://www.innodisk.com)