

Datasheet

SATADOM-ML

3IS2-P series

- SATA III solution for Server Boot-Up Drive
- High IOPS to reduce boot up timing
- Cable-less through Pin 7/Pin 8 connectors
- Anti-vibration mechanical design
- Built in iData Guard
- Hardware write protection supported
- Cost-effective Flash with iSLC
- High less than 1U



Introduction

Innodisk Serial ATA Disk on Module (SATADOM) supports SATA III standard (6.0Gb/s) interface with excellent performance, and SATADOM-ML 3IS2-P is designed as the smallest form factor size that could enhance compatibility with various design applications.

Innodisk SATADOM-ML 3IS2-P is designed for server field. The high of the SATADOM suit for 1U(44.5mm) high server, allow it to fit seamlessly into any server setup. Besides, the main benefit is going to be the ability to use a SATA boot device without using a drive bay.

The innovative Pin8 uses the SATA connector itself as a power supply to drive the device without external cables. It could be connected directly to the SATA on-board socket on customers' system without additional power cable. Besides, the booting time for operation and the power consumption is less than hard disk drive (HDD), and can work under harsh environment compile with ATA protocol, no additional drives are required, and the SSD can be configured as a boot device or data storage device.

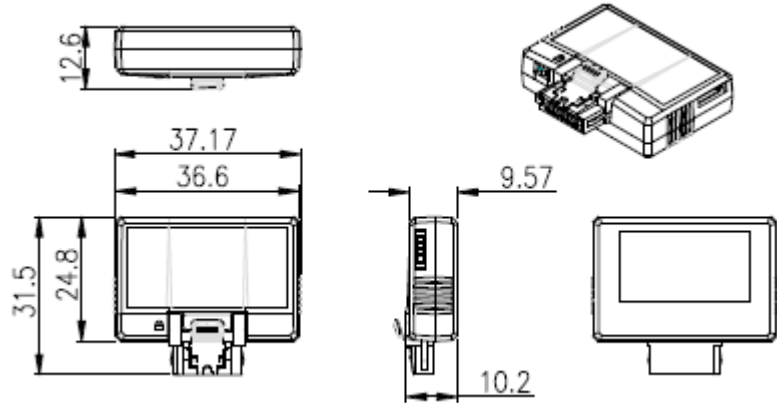
SATADOM-ML

3IS2-P series

Contact us for more information about the SATADOM-ML 3IS2-P.

Innodisk is a service-driven provider of industrial embedded flash storage and Dram products and technologies, with a focus on the cloud computing, industrial/embedded, and aerospace and defense industries.

Diagram



Dimension tolerance: $\pm 0.2\text{mm}$

Headquarters (Taiwan)

5F., No. 237, Sec. 1, Datong Rd.,
Xizhi Dist., New Taipei City,
Taiwan (R.O.C.)
Tel: +886-2-7703-3000
Email: sales@innodisk.com

Branch Offices:

USA
usasales@innodisk.com
+1-510-770-9421
Europe
esusales@innodisk.com
+31-40-3045-400
Japan
jpsales@innodisk.com
+81-3-6667-0161
China
sales_cn@innodisk.com
+86-755-21673689
www.innodisk.com

© 2016 Innodisk Corporation.
All right reserved. Specifications
are subject to change without
prior notice.

Specifications

Interface	SATA III
Flash Type	iSLC
Capacity	16GB~128GB
Max. Channels	4
Sequential R/W (MB/sec, max.)	560/ 450
Max. Power Consumption	1.98W (5V x 396mA)
Thermal Sensor	√
Extended DRAM buffer	√
H/W Write Protect	√
ATA Security	√
S.M.A.R.T.	√
Dimension (WxLxH)	37.17 x 31.5 x 10.2 mm
Environment	Vibration: 20G @7~2000Hz Shock: 1500G @ 0.5ms Storage Temperature: -55°C ~ +95°C MTBF: 3 million hours

20171114

Ordering Information

	16GB	32GB	64GB	128GB
Standard Grade (0°C ~ +70°C)	DSSML-16GD813CBDC*	DSSML-32GD813CBQC*	DSSML-64GD813CBQC*	DSSML-A28D813CBQC*
Industrial Grade (-40°C ~ +85°C)	DSSML-16GD813WBDC*	DSSML-32GD813WBQC*	DSSML-64GD813WBQC*	DSSML-A28D813WBQC*

*= A: Pin8+ power cable
*= B: Pin8+ Pin 7