

# EC700-BT

Atom



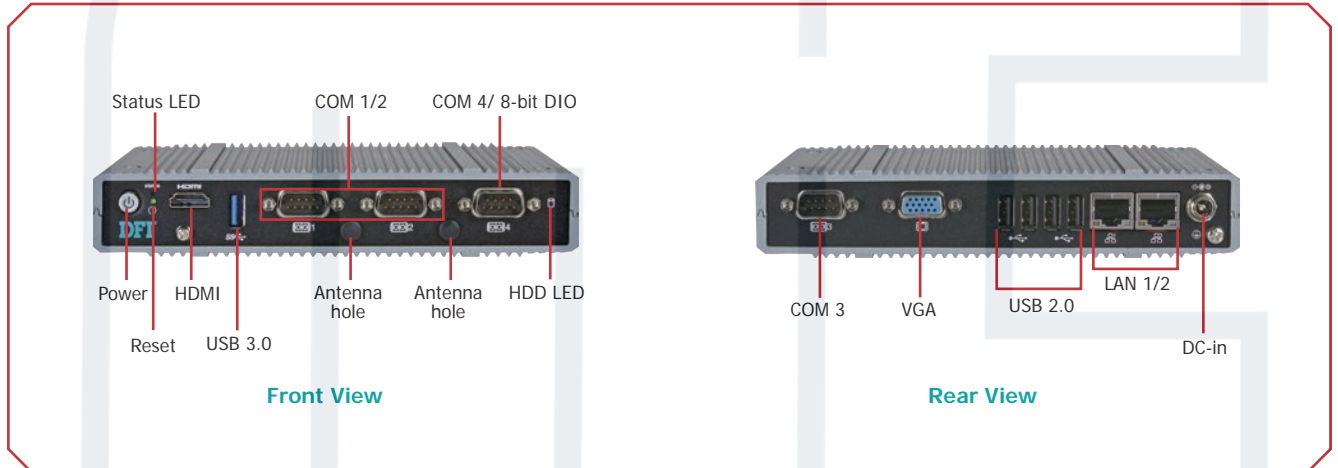
## ► Features

- 4GB/2GB DDR3L ECC onboard
- 1 mSATA, eMMC (optional)
- 1 2.5" SATA drive bay
- Supports Wi-Fi, 3G, and GPRS application
- Error Correcting Code (ECC) delivers a high level of data integrity, reliability, and system uptime

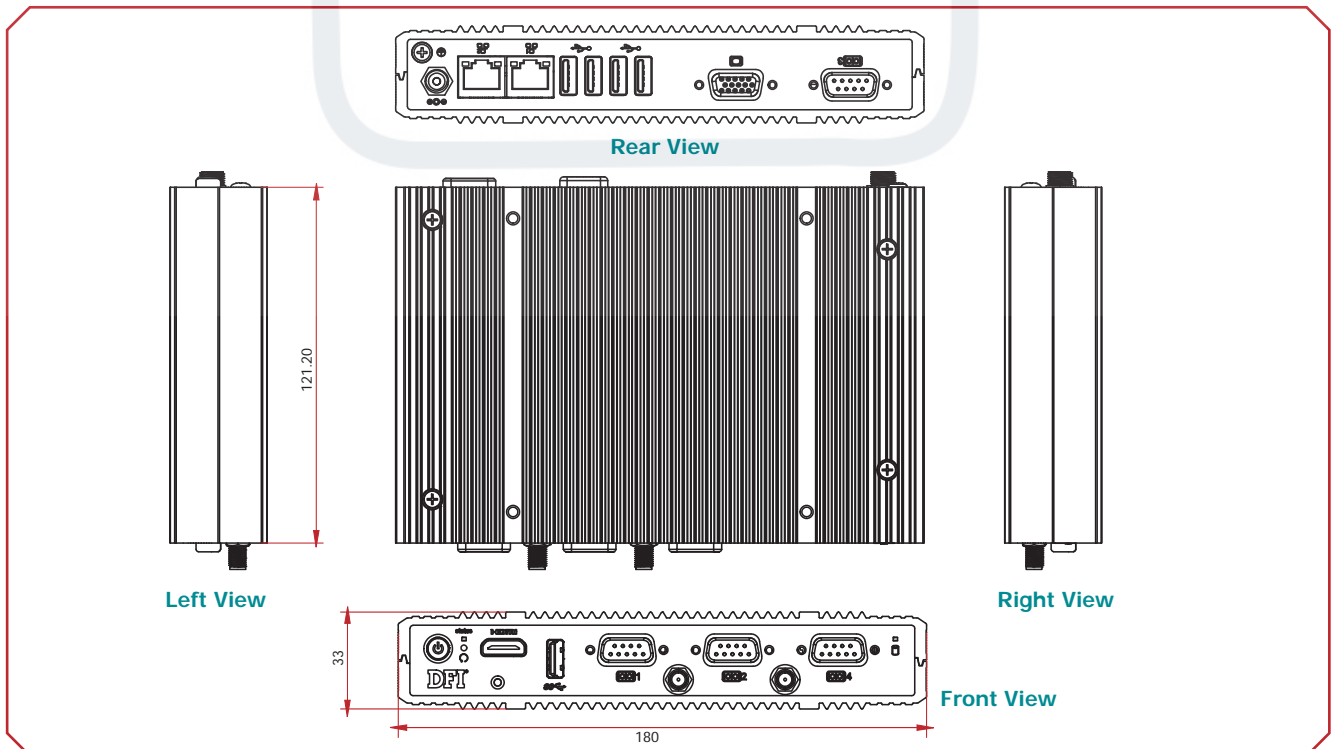


Light-weight, fanless system  
Low-power, high-performance

## ► Panel



## ► Dimensions



# EC700-BT

## ► Specifications

### PROCESSOR SYSTEM

- Intel® Atom™ E3845, Quad Core, 2M Cache, 1.91GHz, 10W
- Intel® Atom™ E3825, Dual Core, 1M Cache, 1.33GHz, 6W
- BGA 1170 packaging technology
- 22nm process technology

### MEMORY

- 4GB/2GB DDR3L ECC onboard
- Supports DDR3L 1333MHz (-E45)  
  Supports DDR3L 1066MHz (-E25)
- Supports single channel memory interface

### GRAPHICS

- Intel® HD Graphics
- Display ports: 1 HDMI, 1 VGA (DVI-I optional)
- HDMI, DVI: resolution up to 1920x1080 @ 60Hz
- VGA: 24-bit, resolution up to 2560x1600 @ 60Hz

### STORAGE

- 1 2.5" SATA drive bay
  - SATA 2.0 port with data transfer rate up to 3Gb/s
- 1 mSATA module via a Mini PCIe slot
- Supports 4GB, 8GB and 16GB eMMC onboard (option)

### ETHERNET

- 2 Intel® I210 PCI Express Gigabit Ethernet controllers
- Integrated 10/100/1000 transceiver
- Fully compliant with IEEE 802.3, IEEE 802.3u, IEEE 802.3ab

### COM

- 4 DB-9 ports
  - 3 DB-9 port supports RS232/422/485 COM port
  - 1 DB-9 port supports RS232/422/485 COM or 8-bit DIO

### EXPANSION

- 3 Mini PCIe slots
  - 2 slots for communication
    - : One half size slot supports PCIe, USB, and LPC signals for Wi-Fi module or LPC module
    - : One full size slot supports PCIe, USB, and 3G signals for 3G or GPRS module
  - 1 full size slot for storage
    - : Supports mSATA module
- 1 SIM card socket
- 1 microSD socket (optional)

### DIO

- 1 8-bit DIO via the DB-9 port

### I/O PORTS

- Front Panel
  - 3 DB-9 serial ports
    - : supports RS232/422/485
    - : One of the ports supports an optional 8-bit DIO
  - 1 USB 3.0 (Type A) port
  - 1 HDMI port
  - 2 Wi-Fi antenna holes
  - 1 status LED
  - 1 HDD LED
  - 1 reset button
  - 1 power button
- Rear Panel
  - 1 DB-9 serial port
    - : supports RS232/422/485
  - 1 VGA port; or 1 DVI-I port (optional)
  - 4 USB 2.0 (Type A) ports
  - 2 RJ45 LAN ports
  - 1 9~36V DC-in jack

### POWER

- Power input voltage: 9~36V DC-in jack

### ENVIRONMENT

- Temperature
  - Operating: 0°C~60°C (SSD/mSATA/CFast)
  - Operating: 0°C~50°C (HDD)
  - Storage: -20°C~85°C
- Operating Vibration
  - MIL-STD-810F 514-5C-2 (SSD/mSATA)
  - MIL-STD-810F 514-5C-1 (HDD)
- Operating Shock
  - Half sine wave 15G, 11ms, 3 shock per axis (SSD/mSATA)
  - Half sine wave 3G, 11ms, 3 shock per axis (HDD)

### CONSTRUCTION

- Aluminum + metal aluminum

### MOUNTING

- Wall/VESA mount
  - Mounting brackets and screws (optional)

### DIMENSIONS

- 180mm x 33mm x 121.2mm (W x H x D)

### WEIGHT

- 800 g

### OS SUPPORT

- Windows 7 Ultimate x64 & SP1 (64-bit)
- Windows 8 Enterprise x86 (32-bit)
- Windows 8 Enterprise x64 (64-bit)
- Windows 8.1 Enterprise x86 (32-bit)
- Windows 8.1 Enterprise x64 (64-bit)

### WATCHDOG TIMER

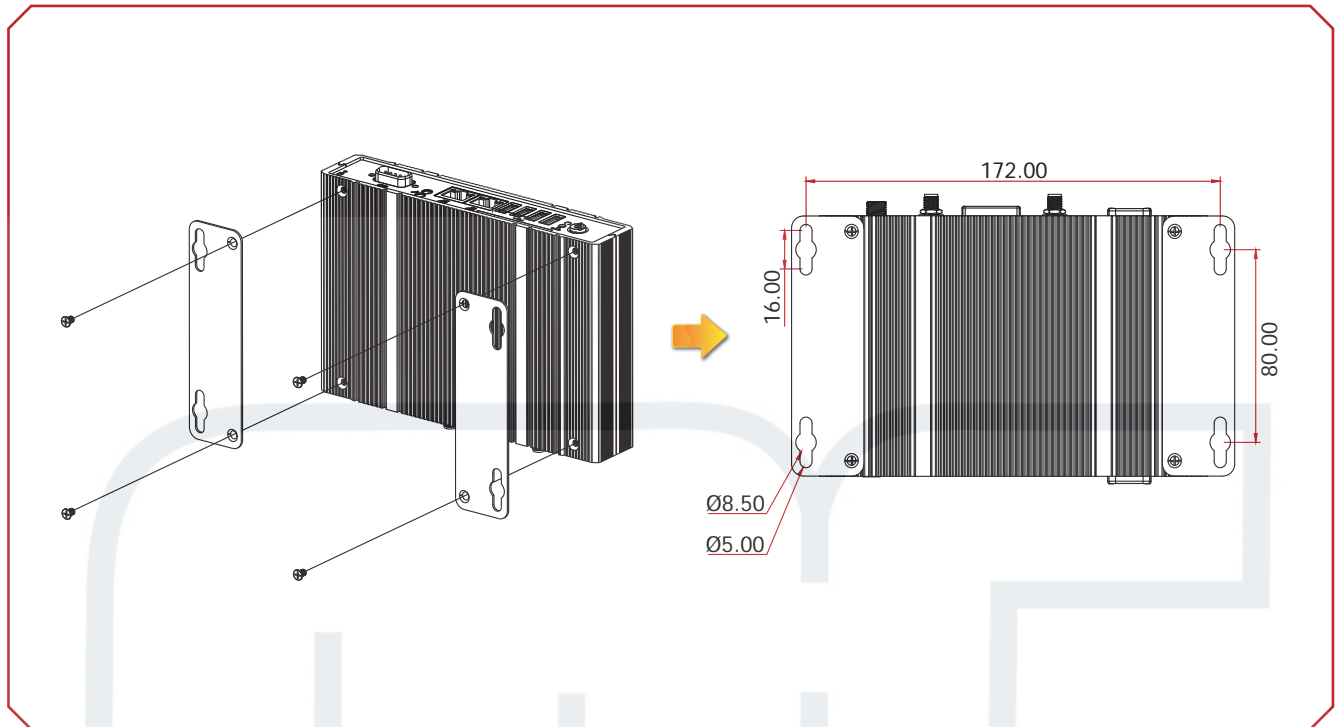
- Watchdog timeout programmable via software from 1 to 255 seconds

### CERTIFICATION

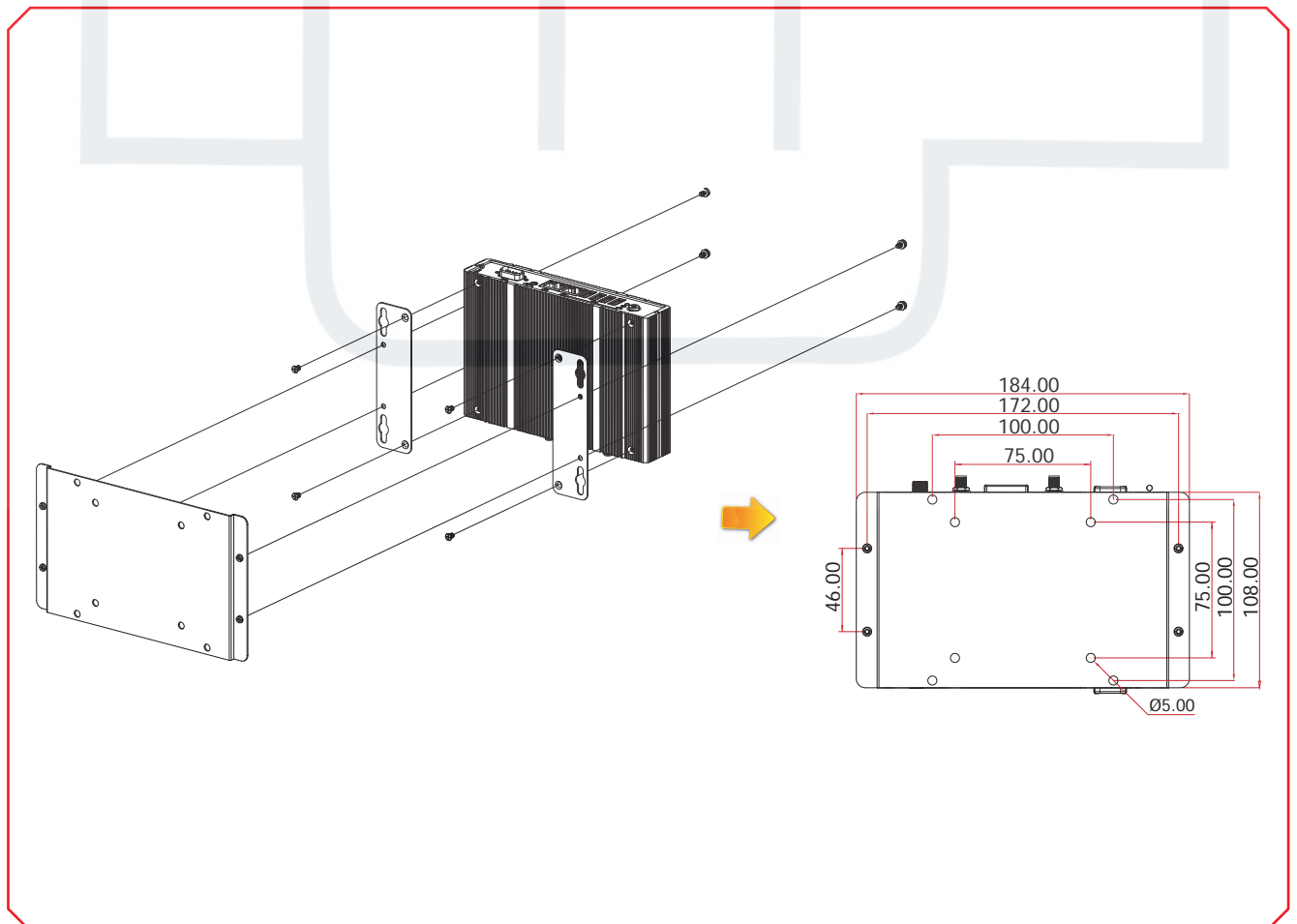
- CE
- FCC Class A
- RoHS

# EC700-BT

## ▶ Wall Mounting



## ▶ VESA Mounting



# EC700-BT

## ► Ordering Information

Model Name	Part Number	Description
EC700-BT4051-252	750-EC7000-A00G	Fanless, Intel Atom E3825, 2 LAN, 1 HDMI, 1 VGA, 4 COM, 5 USB, 2GB DDR3L onboard, RoHS
EC700-BT4051-254		Fanless, Intel Atom E3825, 2 LAN, 1 HDMI, 1 VGA, 4 COM, 5 USB, 4GB DDR3L onboard, RoHS
EC700-BT4051-452	750-EC7000-900G	Fanless, Intel Atom E3845, 2 LAN, 1 HDMI, 1 VGA, 4 COM, 5 USB, 2GB DDR3L onboard, RoHS
EC700-BT4051-454	750-EC7000-700G	Fanless, Intel Atom E3845, 2 LAN, 1 HDMI, 1 VGA, 4 COM, 5 USB, 4GB DDR3L onboard, RoHS

## ► Optional Items

Optional Items	Part Number	Description
HDD	785-H25500G	2.5" SATA HDD, 500GB, RoHS
	785-H25320G	2.5" SATA HDD, 320GB, RoHS
	785-S25128G	2.5" SATA SSD, 128GB MLC, RoHS
	785-S25064G	2.5" SATA SSD, 64GB MLC, RoHS
	785-S25032G	2.5" SATA SSD, 32GB MLC, RoHS
mSATA	785-MS64GMF	mSATA Card, 64GB MLC, RoHS
	785-MS32GMF	mSATA Card, 32GB MLC, RoHS
	785-MS16GMF	mSATA Card, 16GB MLC, RoHS
	785-MS08GMF	mSATA Card, 8GB MLC, RoHS
	785-MS04GMF	mSATA Card, 4GB MLC, RoHS
Wi-Fi	761-110090-000G	Wi-Fi kit
Power Cord	785-PWRD	Power cord, Standards (USA/EUR/CH), 1.8m, RoHS
Power Adapter	671-106002-102G	60W, 12V/5A
	671-106005-000G	60W, 19V/3.5A
Wall Mount	761-EC7000-000G	EC700 Wall Mount Kit, RoHS
VESA Mount	761-EC7000-100G	EC700 VESA Mount Kit, RoHS

## ► Packing List

• 1 EC700-BT system unit
• 6 mounting screws for Mini PCIe module
• 1 Quick Installation Guide
• 1 CD disk includes:
- Drivers / Manual